



MAG ELECTRIC Co.

Instrument current & voltage transformers
3.6kV up to 36 kV

Instrument voltage transformers, indoor, Cast-Resin Insulated



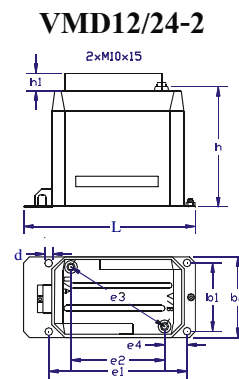
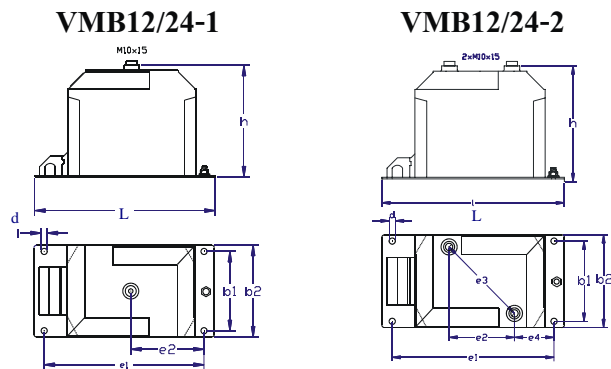
Technical data

Type		VMB12-1	VMB24-1	VMB12-2	VMB24-2
Highest voltage for equipment	kV	12	24	12	24
Power frequency withstand test voltage, 1 minute	kV	28	50	28	50
Lightning impulse test voltage (1.2/50 μ s full wave)	kV	75	125	75	125
Rated frequency	Hz	50/60	50/60	50/60	50/60
Max. rated primary voltage	kV	12/√3	24/√3	12	24
Secondary thermal limit current for measuring winding	A	7	7	4	4
Rated voltage factor /8h		1.9	1.9	-	-
Secondary thermal limit current for Earth – fault winding	A	4	4	-	-
Secondary voltage	V	100/√3; 110/√3; 220/√3		100;110;220	
Max number of cores		3	3	2	2
Accuracy class measuring / protection		0.2-0.5-1/3P -6P			
Rated output		15-100 VA			

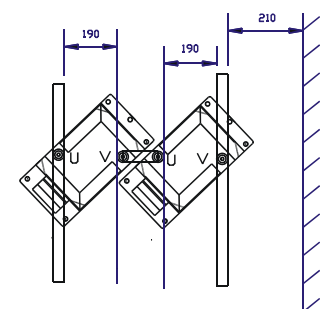
On Request:

Secondary change over provides dual primary rated voltage for instance (20000-11000/100V).

Type	VMB12-1 VMB24-1	VMD12/24-2 VMB12/24-2
e1	280	280
e2	140	165
e3	-	210
e4	-	58
L	362	362
b1	148	148
b2	178	178
h	250	250/280
h1	-	35
d	14	14



Tested Terminal Zones for



Dimensions in mm